

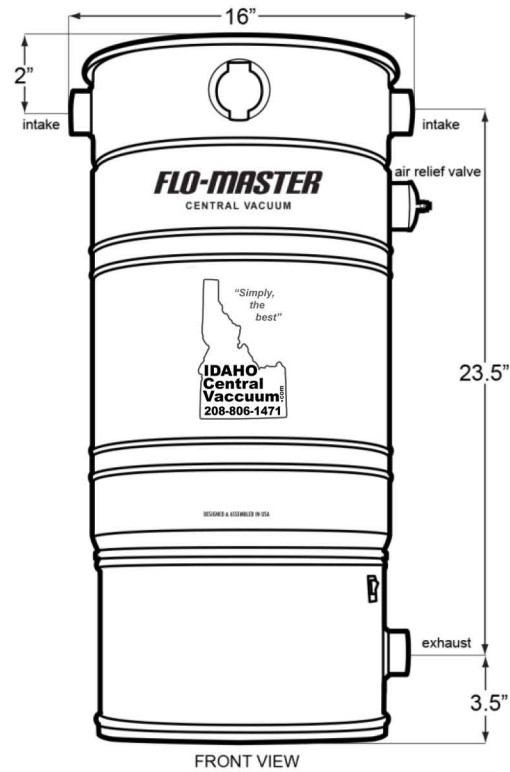
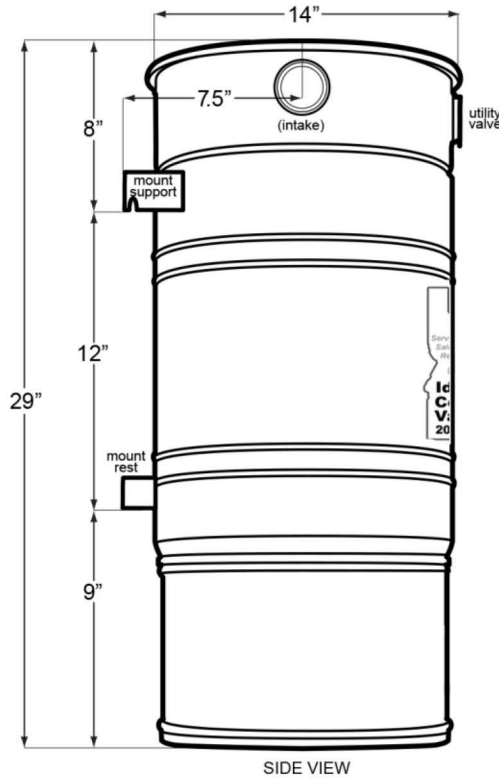
# Idaho Central Vacuum **FLO-MASTER**<sup>®</sup>

MANUFACTURED BY  
**MD**  
CENTRAL VACUUMS

**SPECIFICATIONS FOR MODEL**

## F650t

**#F1156AC 120 VOLT**



### PERFORMANCE

- Sealed Vacuum . . . . . 143.1"
- CFM . . . . . 130.2
- Air Watts . . . . . 650
- Volts . . . . . 120
- Amperage . . . . . 15
- Quietness . . . . . 64dB<sub>A</sub>
- Coverage . . . . . 8,000 ft<sup>2</sup>

\*Recommended home size can be higher or lower when considering these factors: altitude, hours of use, complexity of pipe installation, distance of furthest inlet, noise level, type and size of filtration, and budget.

### FEATURES

- Motor:** Single 2-stage thru-flow motor producing high CFM & waterlift.
- Filtration:** Tru-Seal™ Microfiltration disposable 8-gallon bag, closed top.
- Intakes:** Right & left intakes. Utility valve. Air relief valve.
- Construction:** Durable powder-coated all steel body.
- Overload:** Heat protection resettable minibreaker.
- Warranty:** 10 Year Transferable + Lifetime.
- Dims/Weight:** 14" Diameter, 29" Tall, 34 lbs.
- Accessories:** All MD accessories and kits are compatible and are sold separately.
- Optional:** Muffler. Closed bag filtration.
- Required:** Included air-relief valve must be installed in the back-side opening.

### INSTALLATION

- Electrical:**
  - 120V - 50/60HZ, 20 amp circuit. Separate circuit recommended.
  - 6' Cord with standard plug fits NEMA 5-20R receptacle.
- Mounting:**
  - Two-stud 17" wide bracket. Easy to hang and remove. Left/right variable positioning. Mount 6" off ground. Leave 24" above unit.
- Venting:**
  - Exterior venting not necessary. 30ft maximum line if venting.

<b>PROJECT</b>	<b>LOCATION</b>
<b>DEALER</b>	<b>DATE / PRICE</b>



Designed & Assembled in USA

[www.idahocentralvacuum.com/flomaster](http://www.idahocentralvacuum.com/flomaster)  
sales@idahocentralvacuum.com

Idaho Central Vacuum  
Central Systems  
208-806-1471